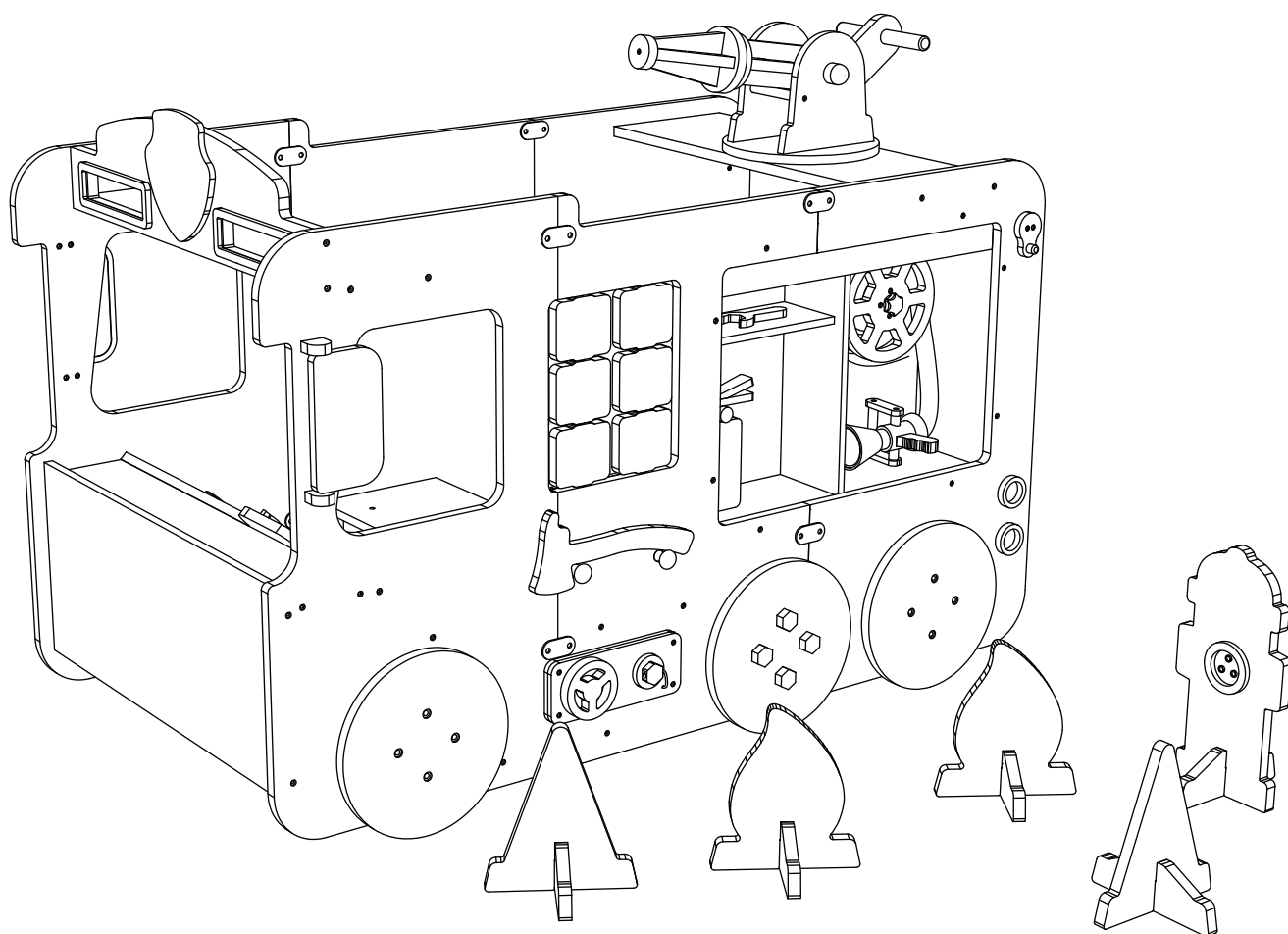
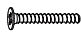





# Assembly Instruction

#44712 Super Fire Engine



A  x57


B  x12

C  x2


D  x40

E  x17

F  x16

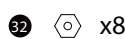
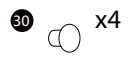
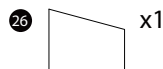
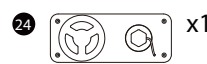
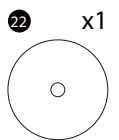
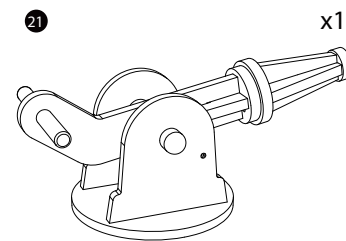
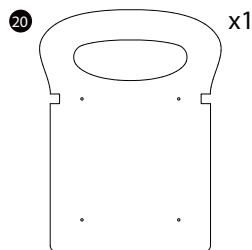
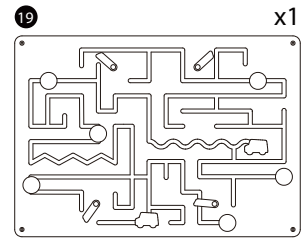
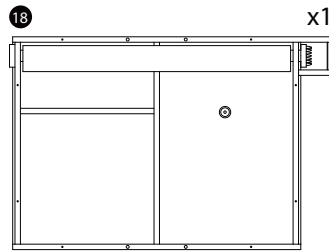
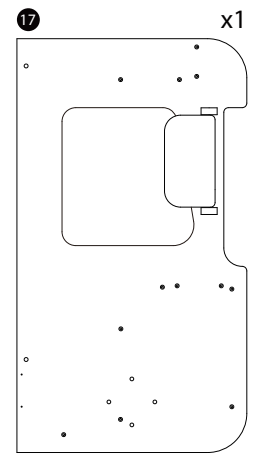
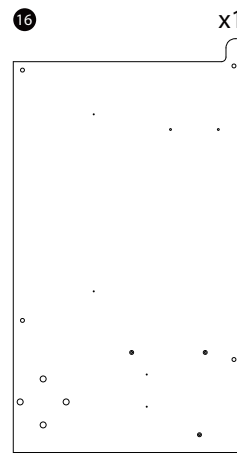
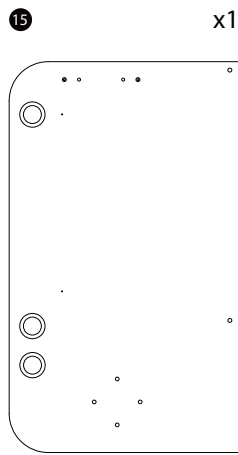
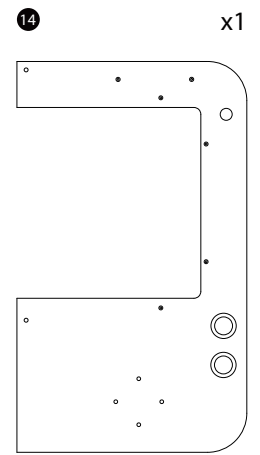
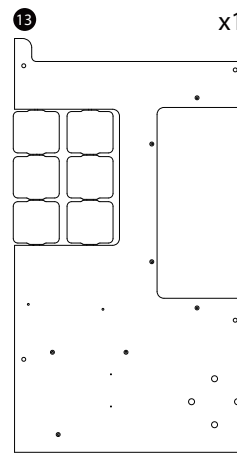
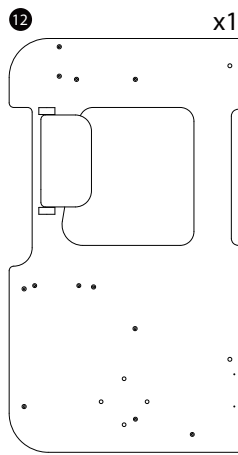
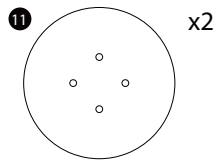
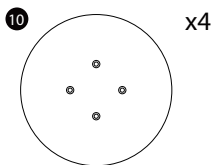
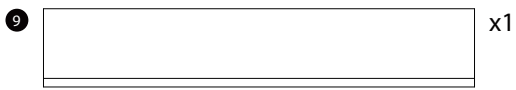
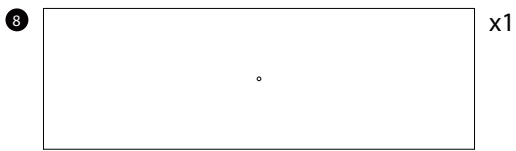
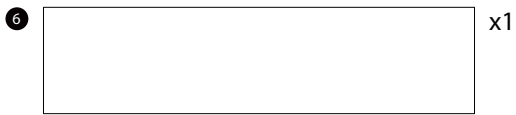
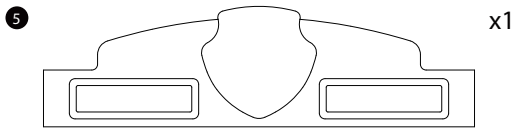
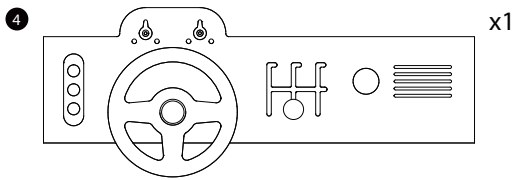
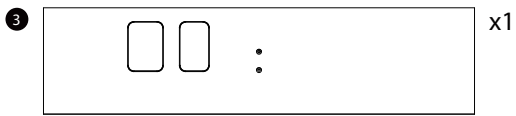
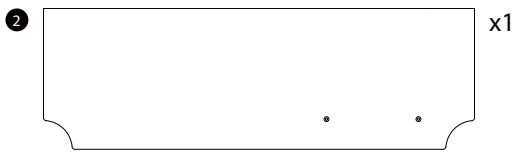
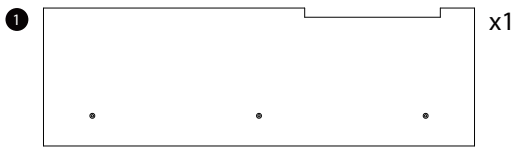
G  x33

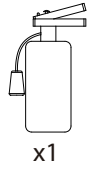
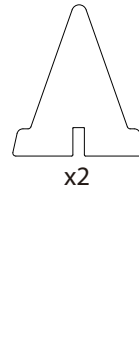
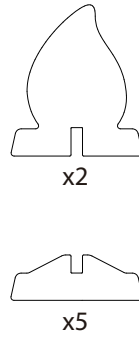
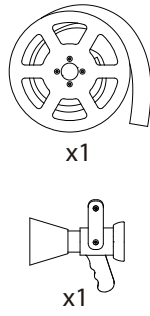
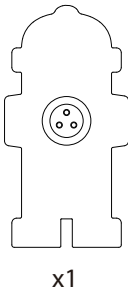
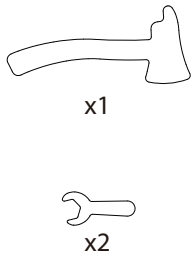
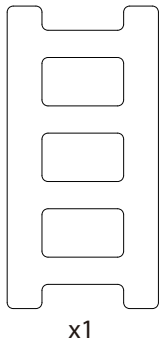
H  x1

I  x16

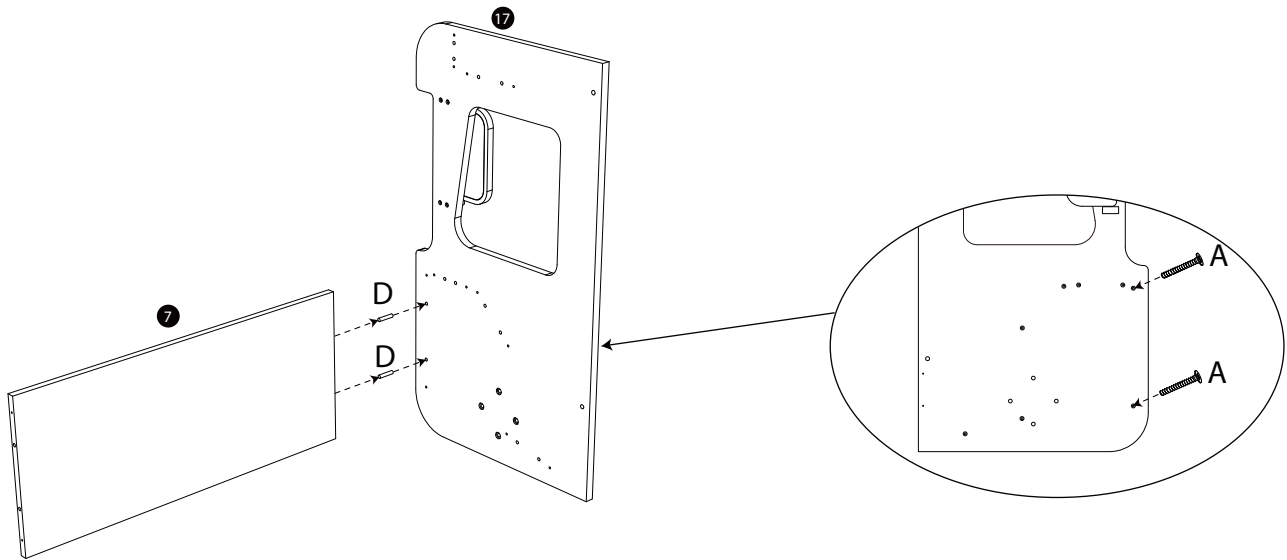
J  x1

K  x2

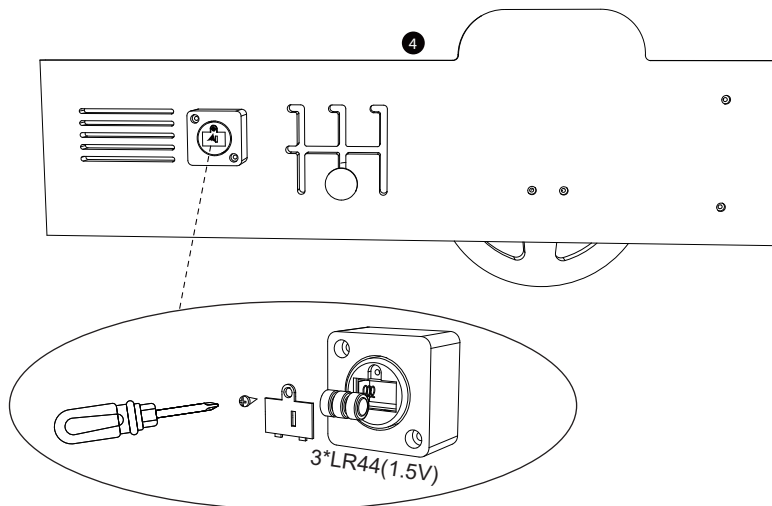




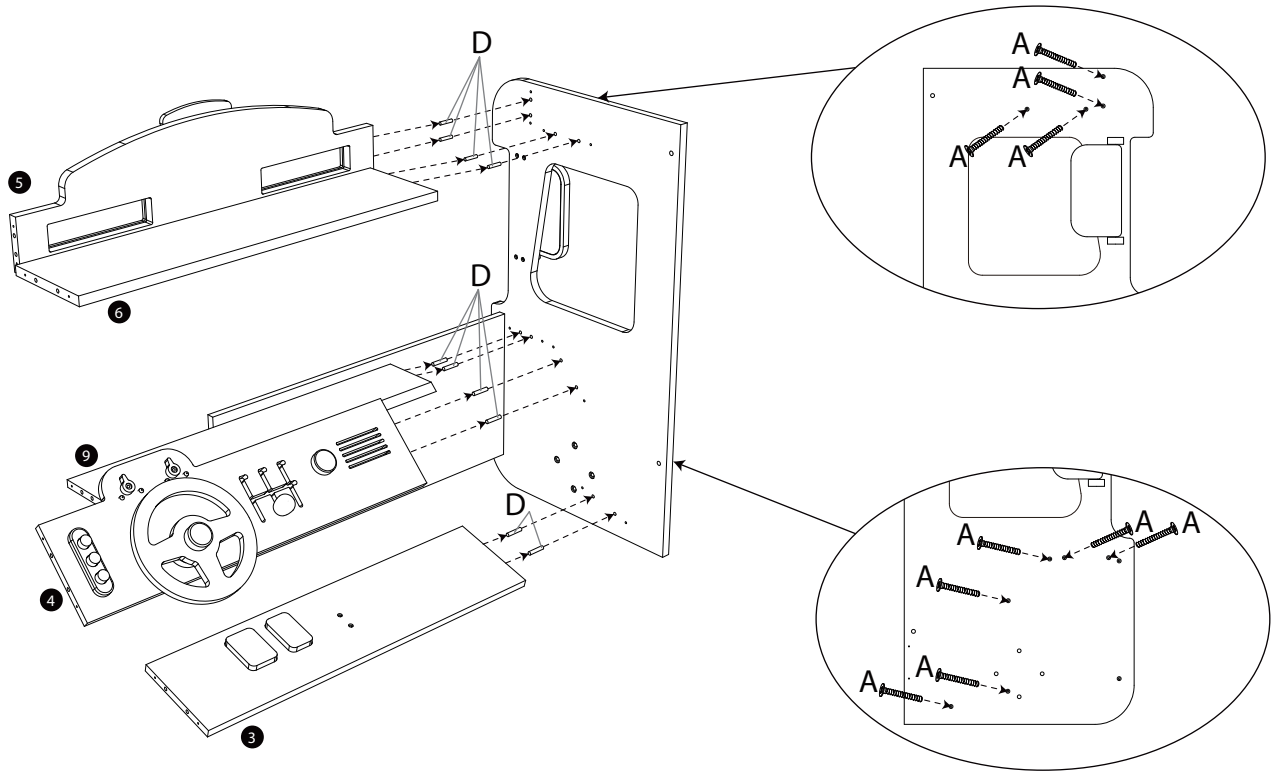
1



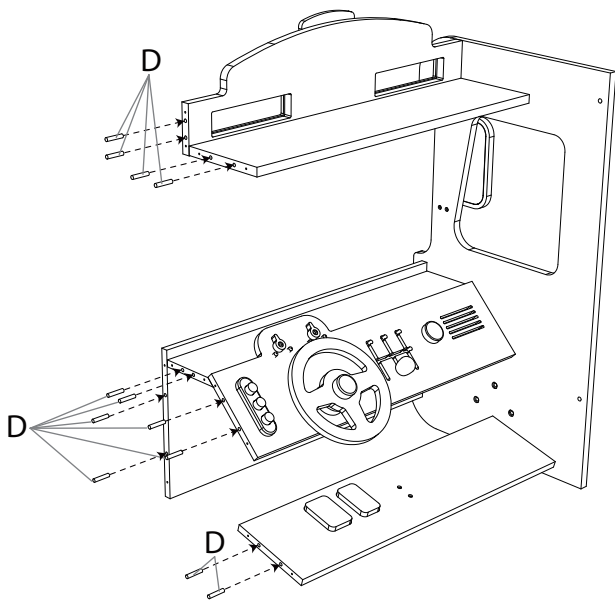
2



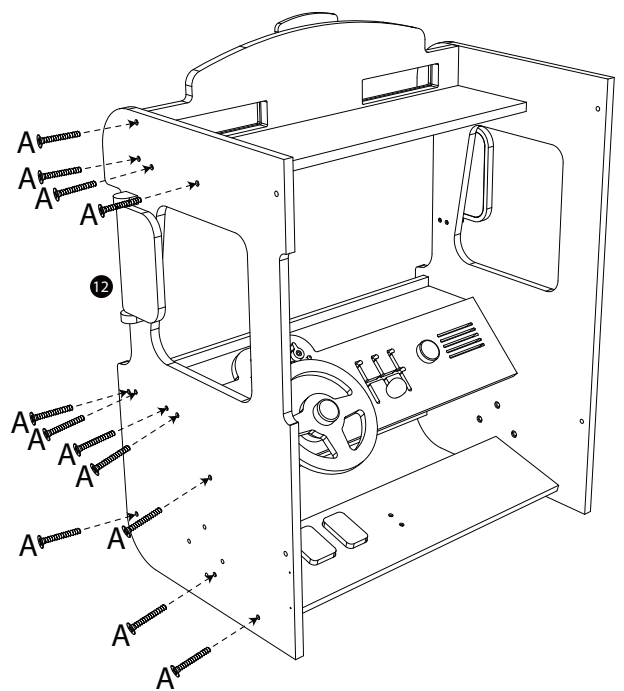
3



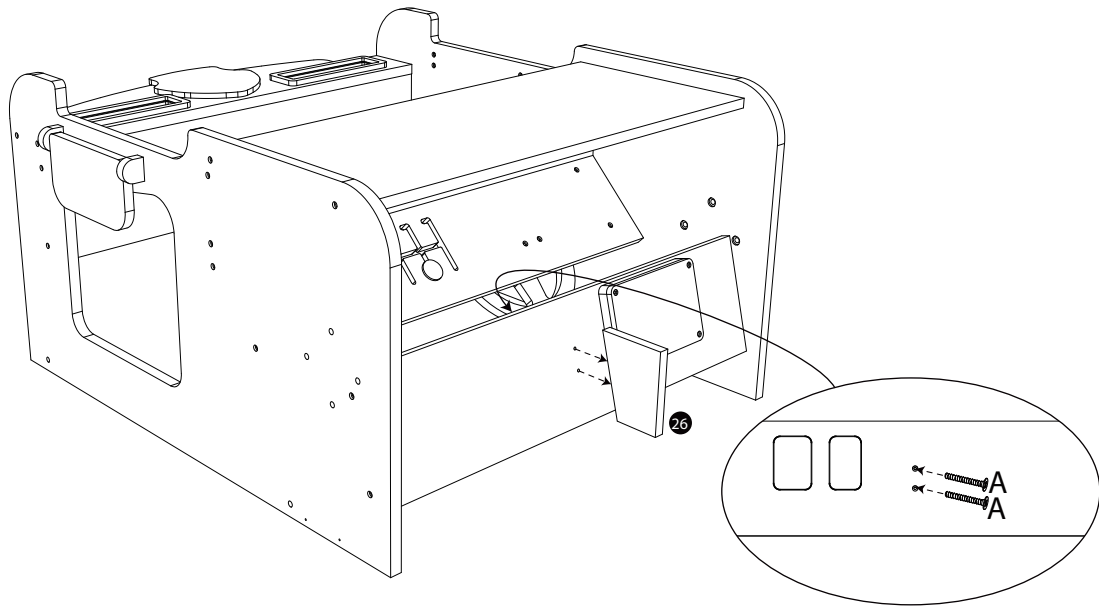
4



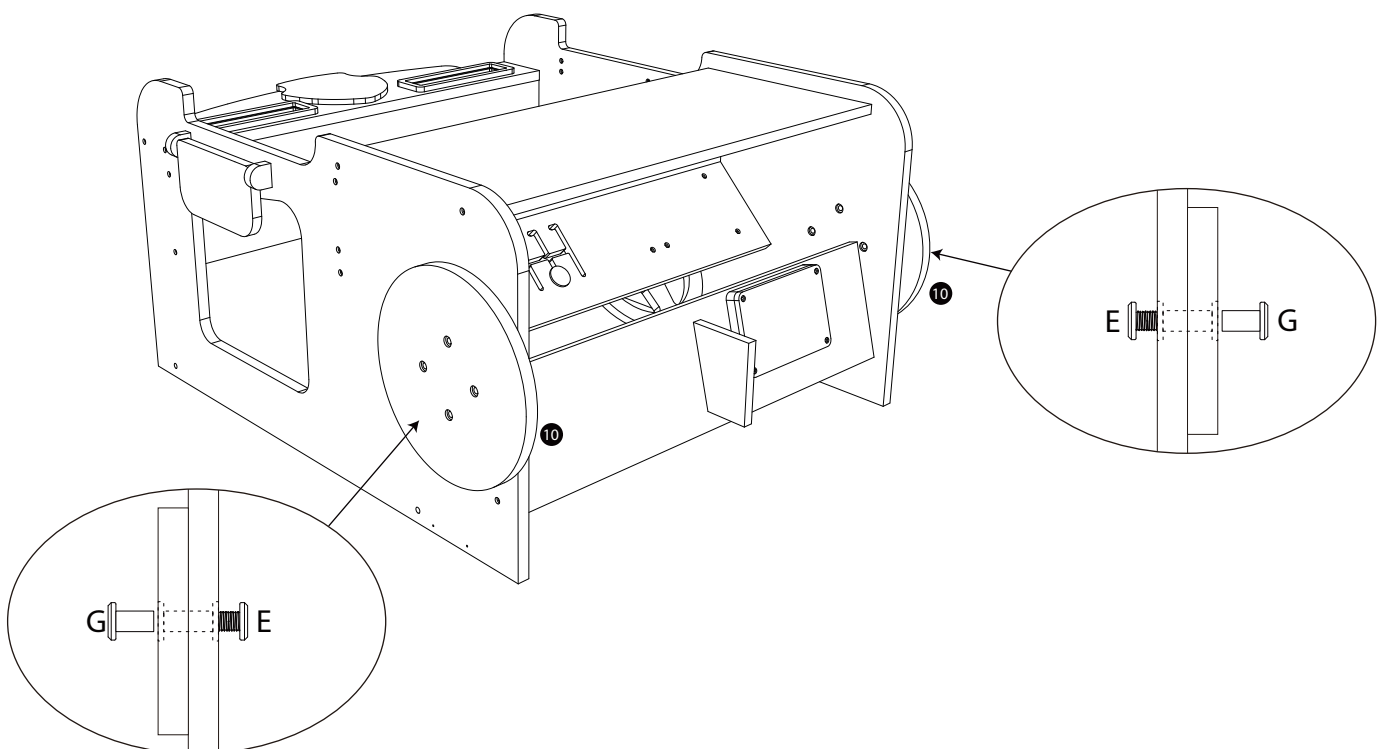
5



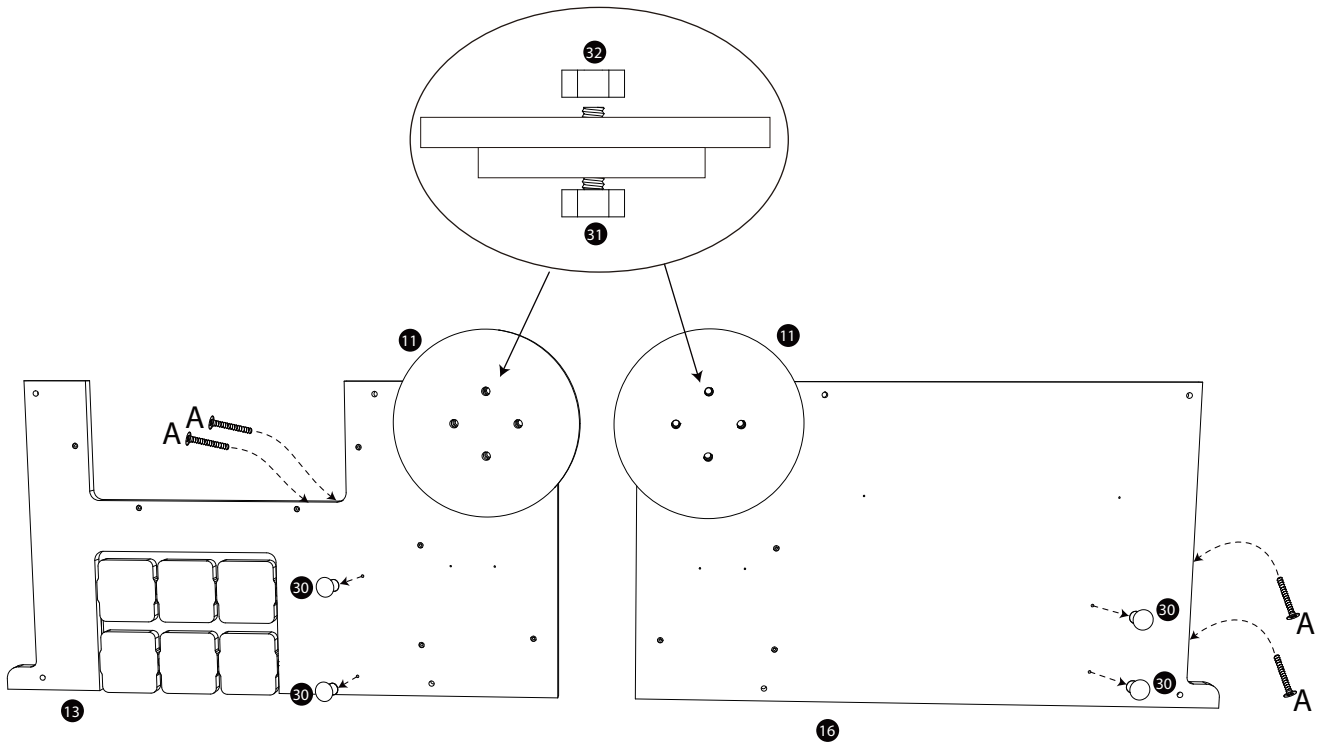
6



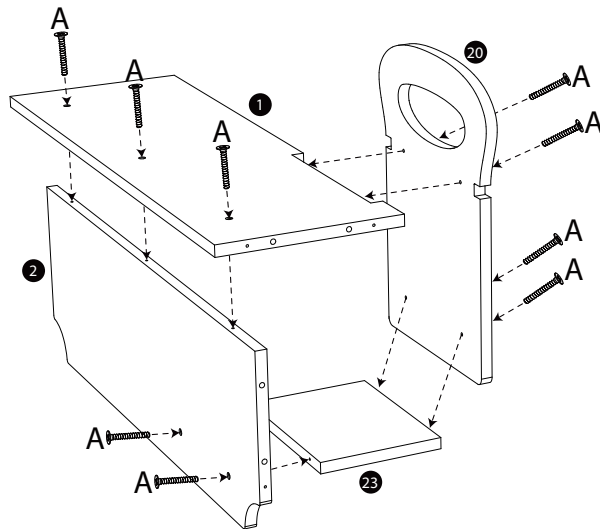
7



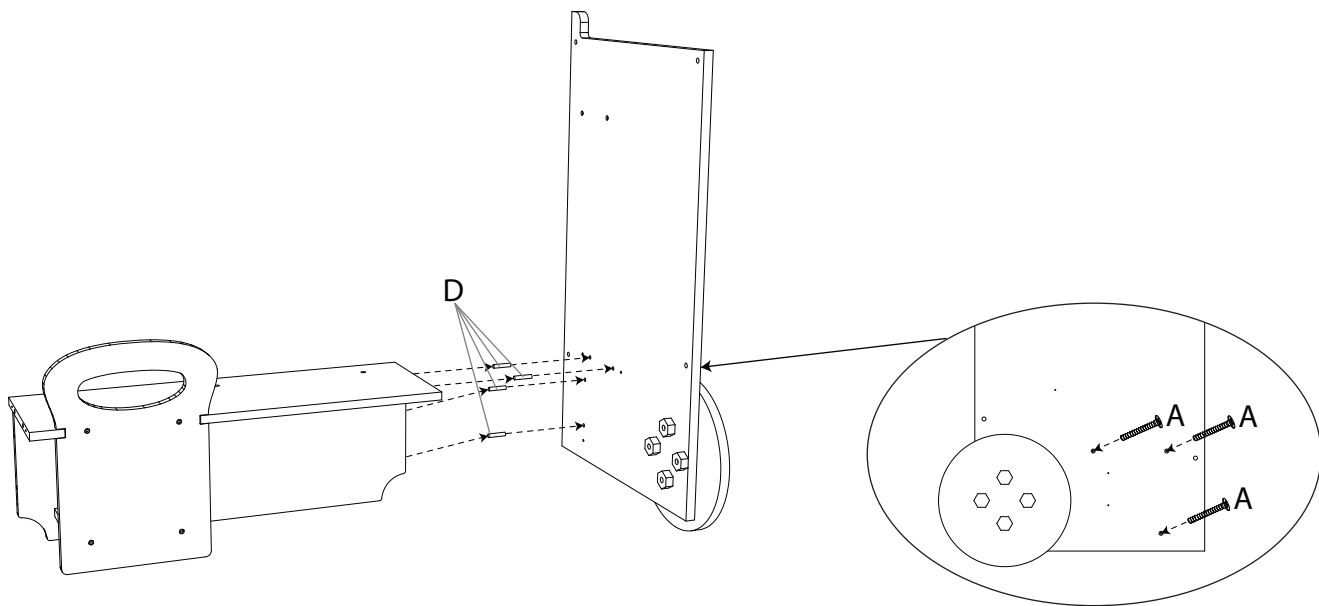
8



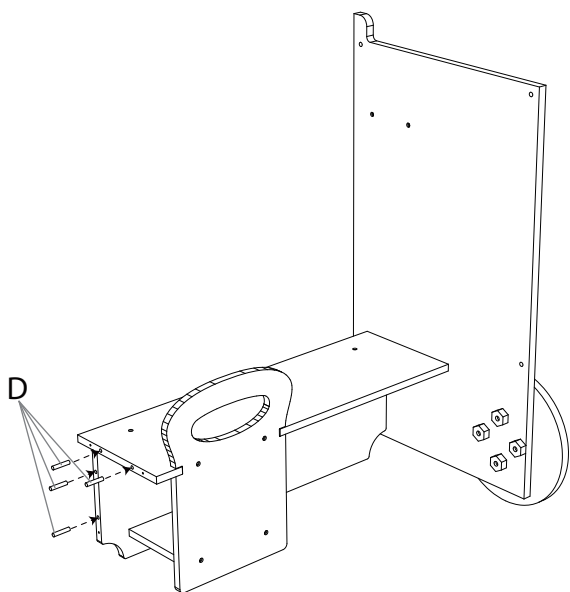
9



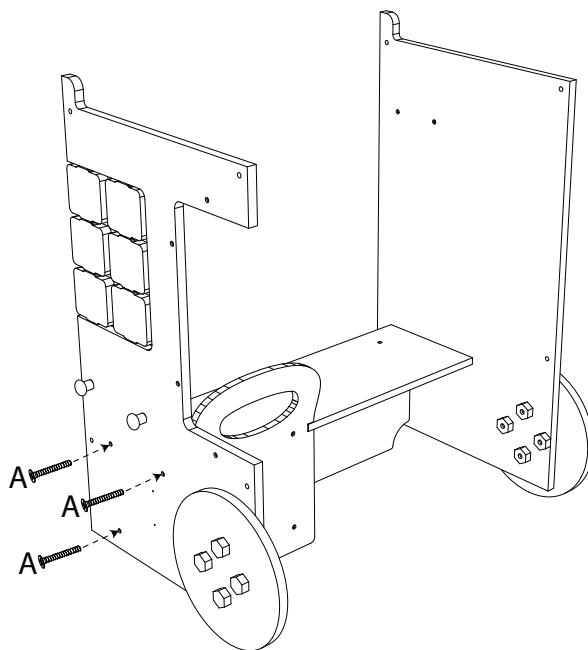
10



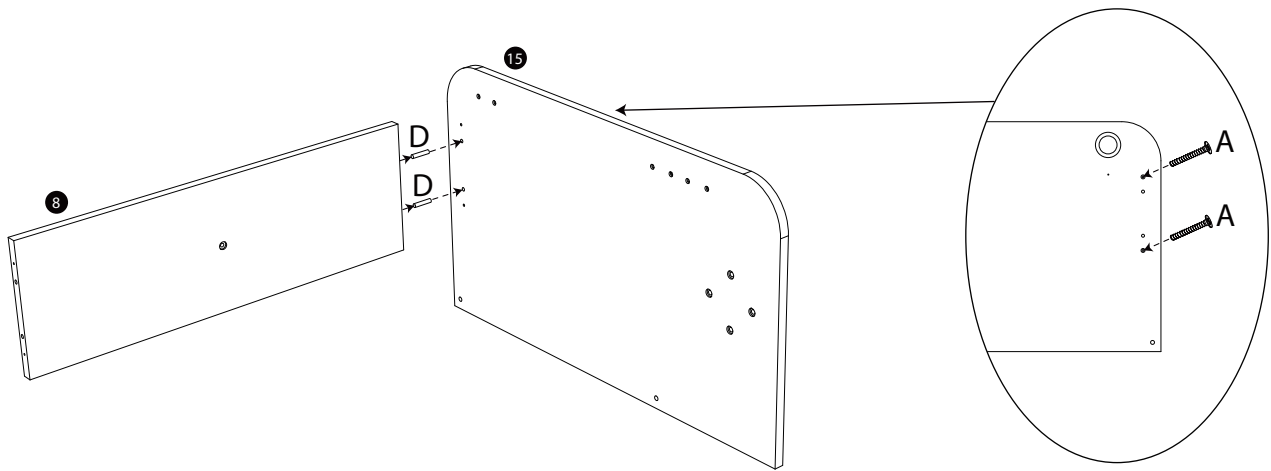
11



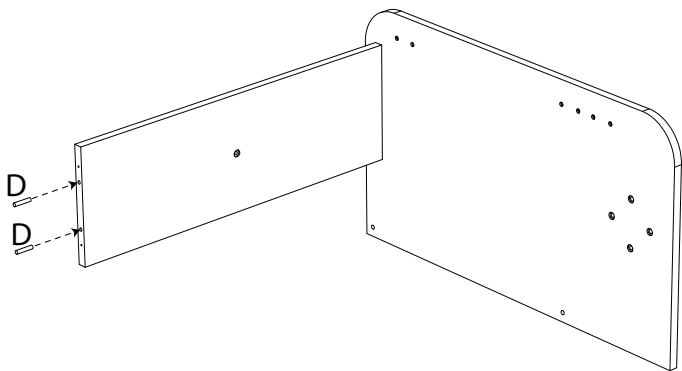
12



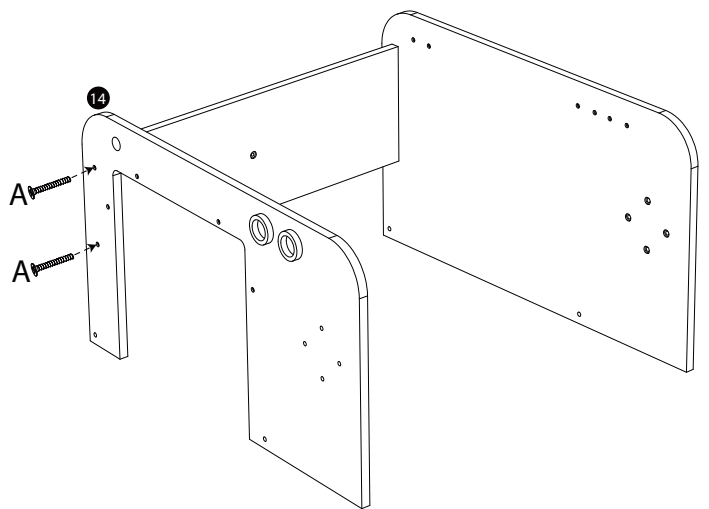
13



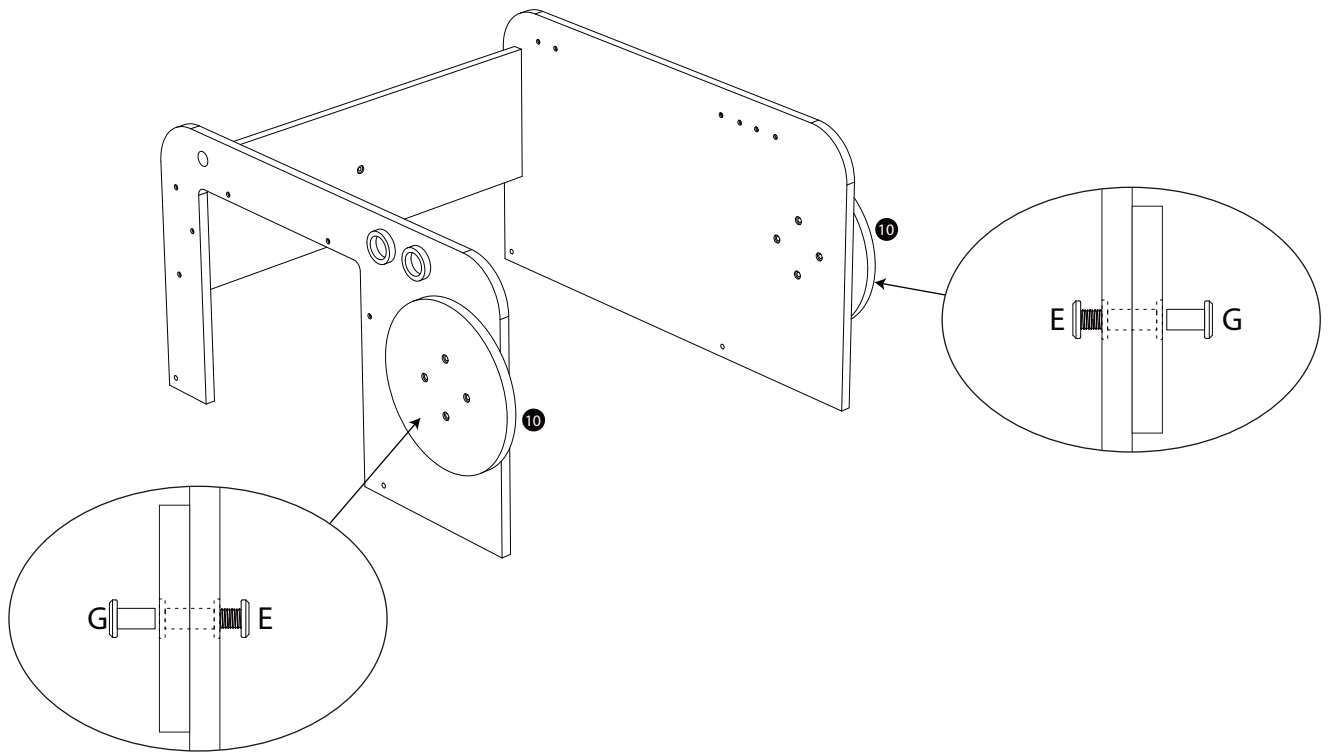
14



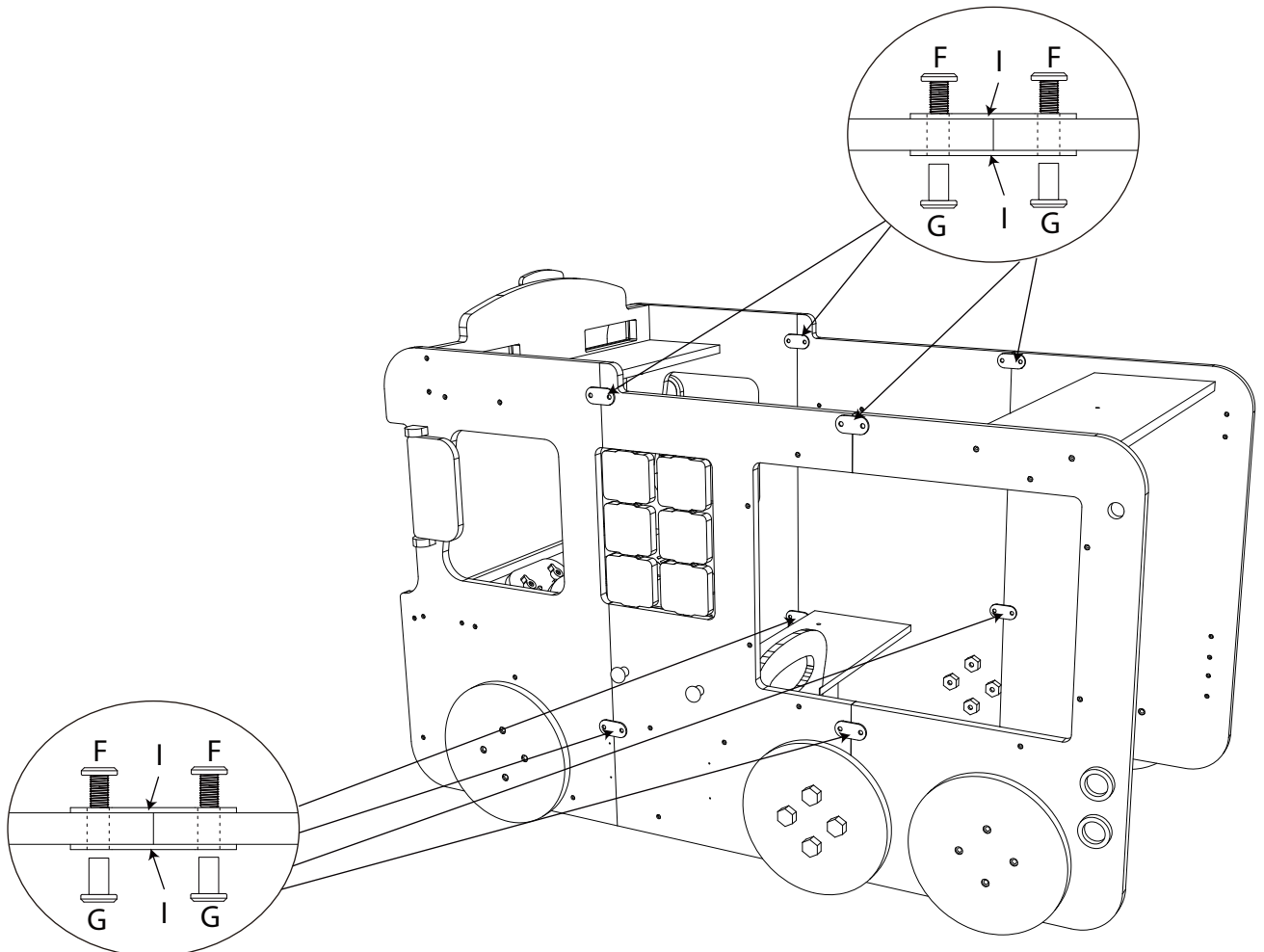
15



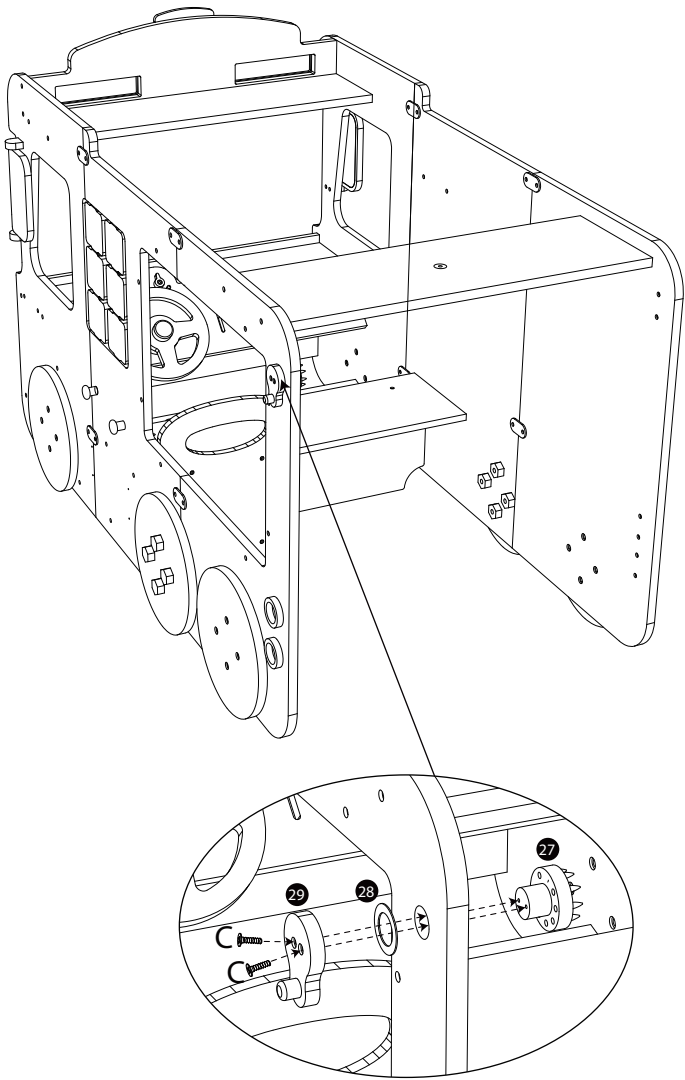
16



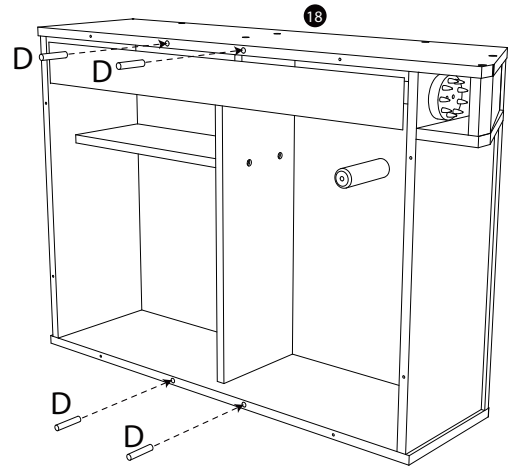
17



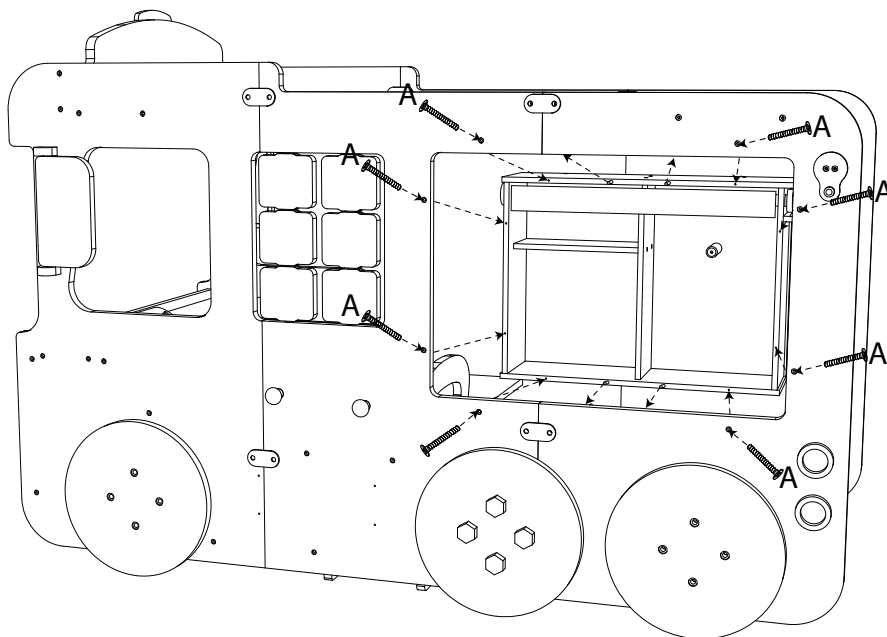
18



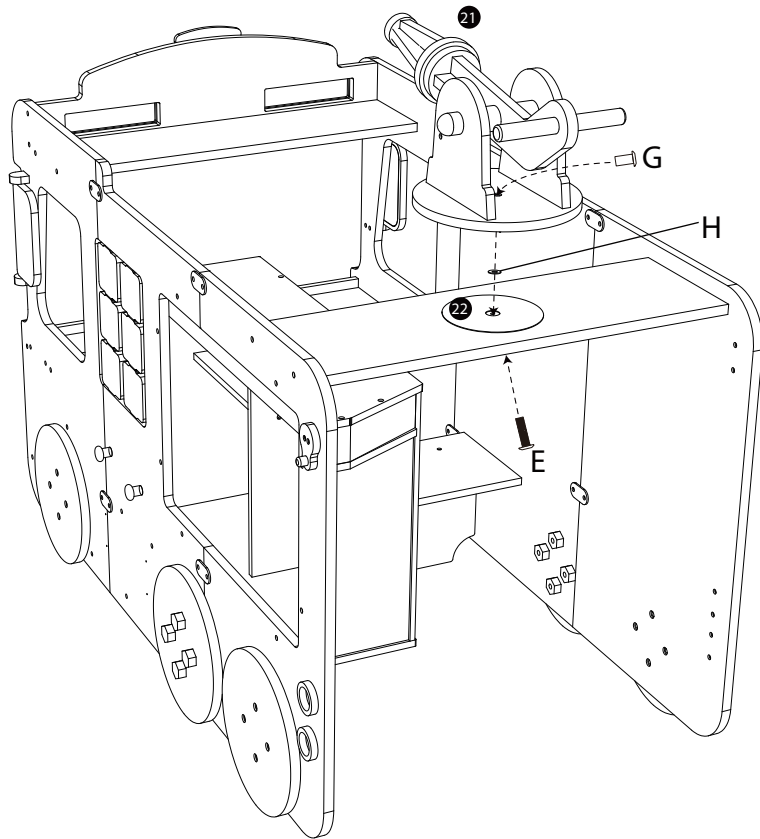
19



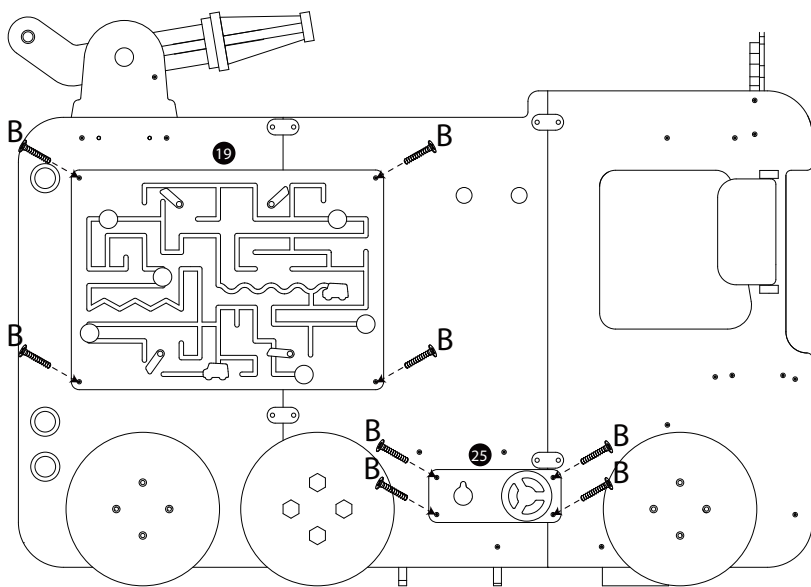
20

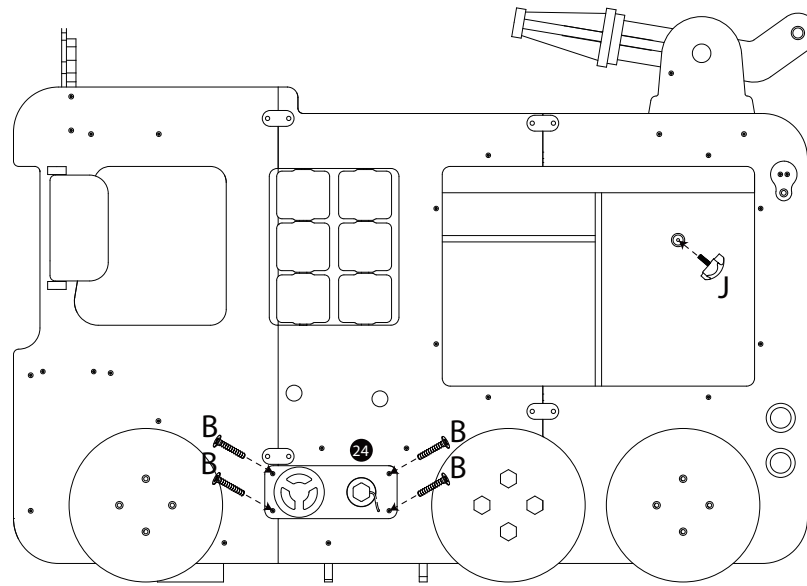


21



22





## WARNING:

This toy does not provide protection. This toy is required to be assembled by adults only.  
 Not suitable for children under 3 years due to small parts - Choking hazard.  
 It may contain potential choking hazards, small parts or sharp points before assembly.  
 Incorrect assembly may cause injury to children.  
 Screws may rust over time, please inspect all the screws periodically.

– how to remove and insert the Button Cell Batteries;

1. Use a screwdriver to turn the screw counterclockwise to remove the battery cover.
2. Take out the used batteries and reinsert three new LR44 1.5V Button Cell Battery with the correct polarity.
3. Install the battery cover and tighten the screw clockwise with a screwdriver.

- non-rechargeable batteries are not to be recharged;
- different types of batteries or new and used batteries are not to be mixed;
- batteries are to be inserted with the correct polarity;
- exhausted batteries are to be removed from the toy;
- the supply terminals are not to be short-circuited.

Avoid contact with water. Recommend to wipe the product using a wet cloth.

Please keep the instruction manual as it contains important information.